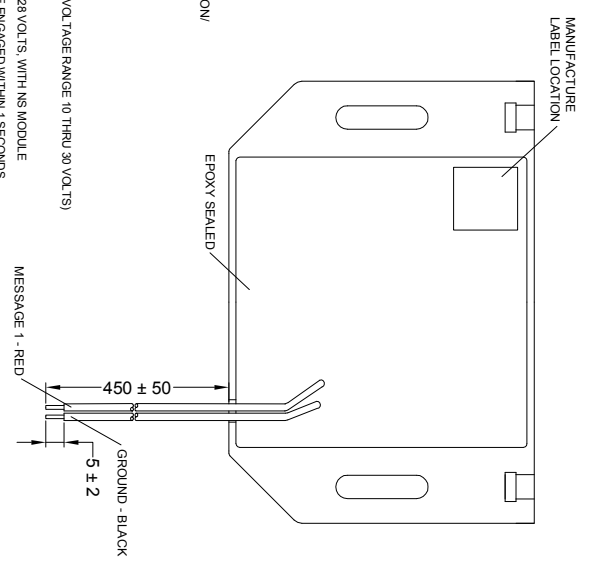
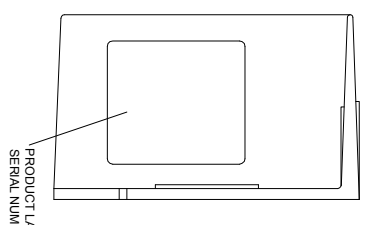
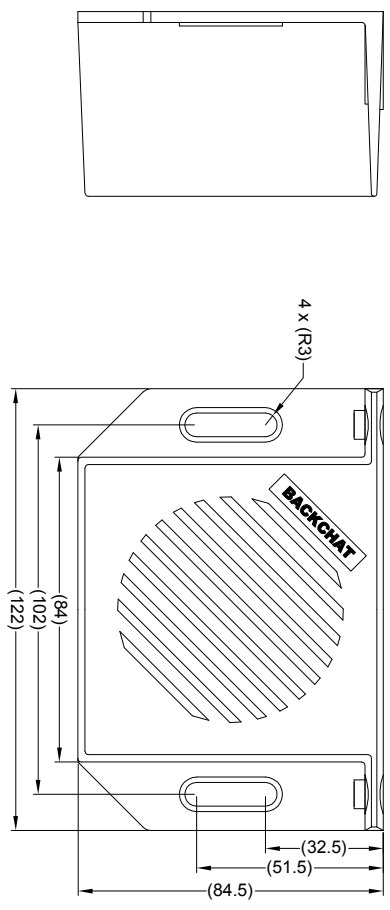
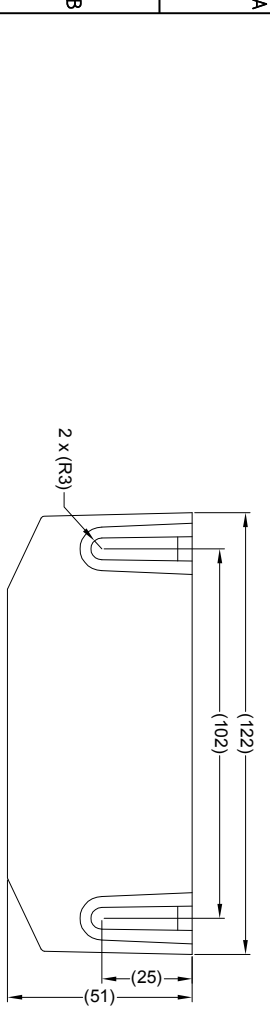


<b>Revision Notes</b>			
R1 - NOTES UPDATED TO INDICATE CORRECT LABEL DETAILS, STANDARDS UPDATED AS PER ECR CR-A253.			
SPL SPECIFICATION REVISED AS PER ECR CR-A211.			
APA: AHEDDLE	Drawn/BATES	Checked/M/BUTLER	Approved/G/PLITH
			Date: 06/02/14



**SPECIFICATION**

RATED VOLTAGE: 12 AND 24 VOLTS DIRECT CURRENT (WORKING VOLTAGE RANGE 10 THRU 30 VOLTS)

RATED CURRENT: 0.5 AMPERES OR LESS

SOUND PRESSURE: 90dB DECIBELS AT TEST VOLTAGE OF 14 AND 28 VOLTS, WITH NS MODULE

THE ALARM IS SILENT WITH REVERSE DOUBLE ENGAGED WITHIN 1 SECONDS

CABLE THICKNESS: ALL CABLES 2MM

ACTUAL MESSAGE(S): \*SSH SSH, STAND WELL CLEAR, VEHICLE REVERSING\*

MESSAGE LIBRARY NUMBER(S): BBS M1010D

VOICE/ACCENT: MALE

LANGUAGE: ENGLISH

- NOTES:**
1. MATERIAL: ABS PLASTIC - ULTRA VIOLET STABILIZED
  2. FINISH: BLACK
  3. FOR PRODUCT LABEL REFER TO LATEST REVISION OF DRAWING BE-002749-XX-13.
  4. FOR GIFTBOX LABEL REFER TO LATEST REVISION OF DRAWING BE-002325-XX-13.
  5. FOR MANUFACTURE LABEL REFER TO LATEST REVISION OF DRAWING BE-001990-XX-12.
  6. 2 X M6 X 25 BOLTS, 2 X M6 FLAT WASHER & 2 X M6 NUTS ARE SUPPLIED IN A PRESS SEAL BAG IN THE BOX.
  7. POWER & MESSAGE CABLES LENGTHS ARE MEASURED FROM CABLE ENTRY POINT ON HOUSING.

**PROPRIETARY NOTICE**

THIS DESIGN AND TECHNICAL INFORMATION APPEARING ON THIS DRAWING IS THE PROPERTY OF BRIGADE ELECTRONICS, AND IS DISCLOSED IN CONFIDENCE. IT IS NOT TO BE COPIED, REPRODUCED, REVEALED TO OR EXPLOITED BY OTHERS, EITHER IN WHOLE OR IN PART WITHOUT THE EXPRESS WRITTEN CONSENT OF BRIGADE ELECTRONICS.

**BRIGADE®**  
www.brigade-electronics.com

<p>Angle of Projection Third Angle</p>	<b>Assembly Pl Approval</b>		<b>Approved by</b>		<b>Checked by</b>		<b>Drawn by</b>	
	AHEDDLE		S.MATTHEWS		L.BRAR		M.BUTLER	
	Units	Scale	Released	Assembly Ref				
	mm	N/A	19/10/12	A1125				
	<b>Status</b>		<b>BC-01(NS)</b>					
	RELEASED							
	Part No	BE-001931-01-12						
	0378A							